

MODEL NO.

B2414

**Goalrilla Deluxe
Hooplight**

OWNER'S MANUAL

1. **Read this manual carefully before starting assembly.** Read each step completely before beginning each step.
2. **Some smaller parts may be shipped inside larger parts. Check inside all parts and cartons before assembling or ordering parts.**
3. **To make assembly of your basketball system easier, use the Hardware Identifier on page 2 To identify and sort all fasteners. Check all cartons for kits. All hardware is not located in one kit.**
4. **Do not tighten hardware until instructed to do so.** If hardware is tightened too soon, mounting holes may not align and parts may not easily fit together. Leave locknuts slightly loose until you are instructed to tighten them.

Please Do Not Return This Product To The Store!

Contact Escalade® Sports customer service department at:

Phone: 1-888-USA-GOAL Toll Free !

Fax: 1-866-873-3536 Toll Free !

E-mail: basketball@escaladesports.com

Mailing Address (correspondence only):

Escalade Sports

PO Box 889

Evansville, IN 47706



Please visit our World Wide Web site at: www.goalrilla.com

ON-LINE TROUBLE SHOOTING

TECHNICAL ASSISTANCE

ON-LINE PARTS REQUESTS

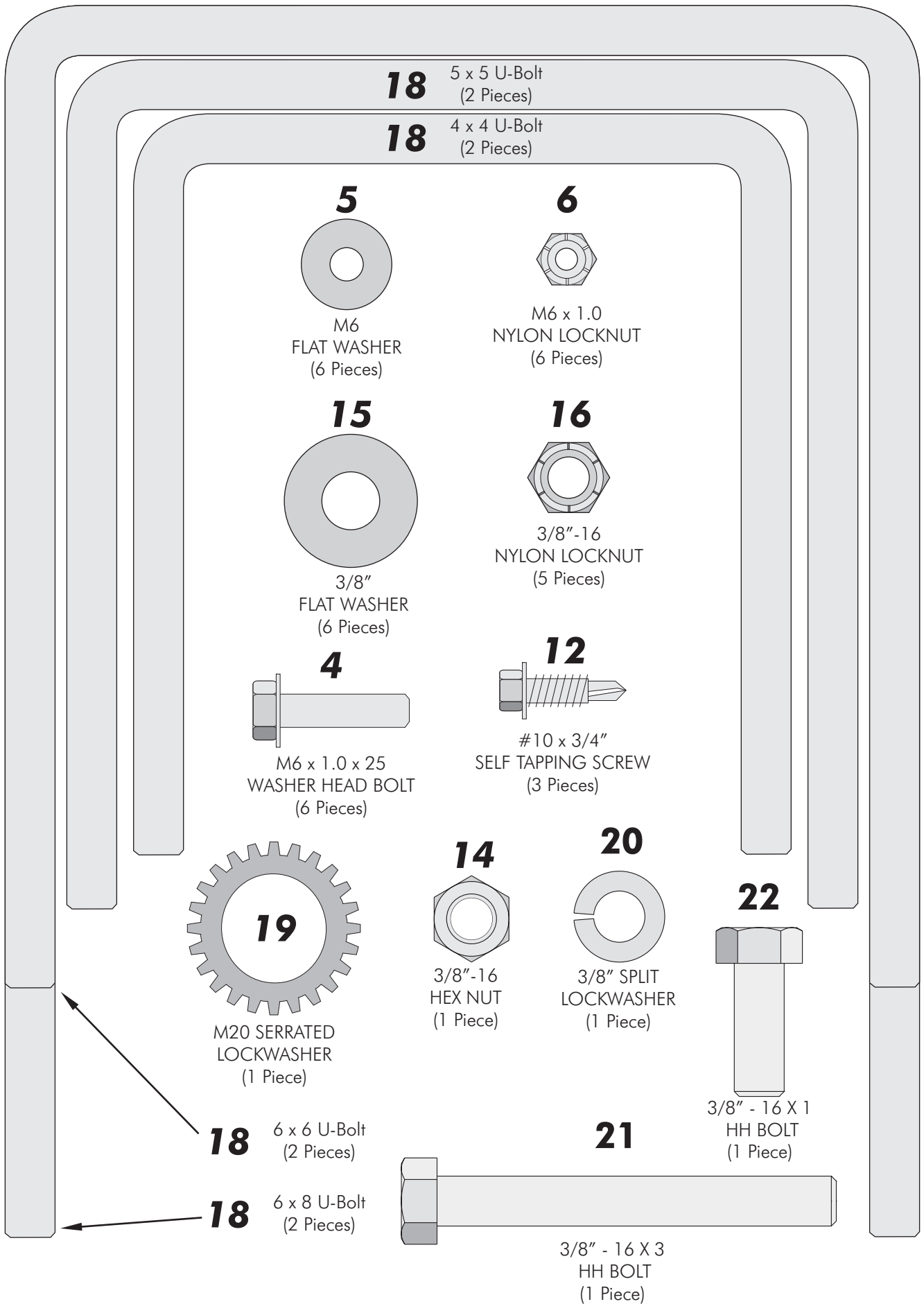
FREQUENTLY ASKED QUESTIONS

ADDITIONAL ESCALADE® SPORTS PRODUCT INFORMATION

ESCALADE®
S P O R T S

2L-7142-00

HARDWARE IDENTIFIER



Note: This unit is equipped with U-Bolts to fit Goalrilla™ and Goliath™ basketball units with 4 x 4, 5 x 5, 6 x 6, and 6 x 8 poles. Select the U-Bolt by measuring your pole and referring to the "Hardware Identifier" in this manual.

1. Crank Actuator until unit is in its lowest position so that the lower arms are against stops. See Figure 1.
2. Remove bolt and nut that attaches Actuator (B) to lower arms and place cable stirrup (#23) over the top of the Actuator. Slide Pivot tube (A) through Stirrup and Actuator until equal amounts stick out through both sides of Actuator. Re-attach with bolt and nut as shown in Figure 1.
3. Attach mounting plate (#17) to pole with U bolts (#18), washers (#15) and nuts (#16). Top of plate should be even with top of pole see Figure 2.

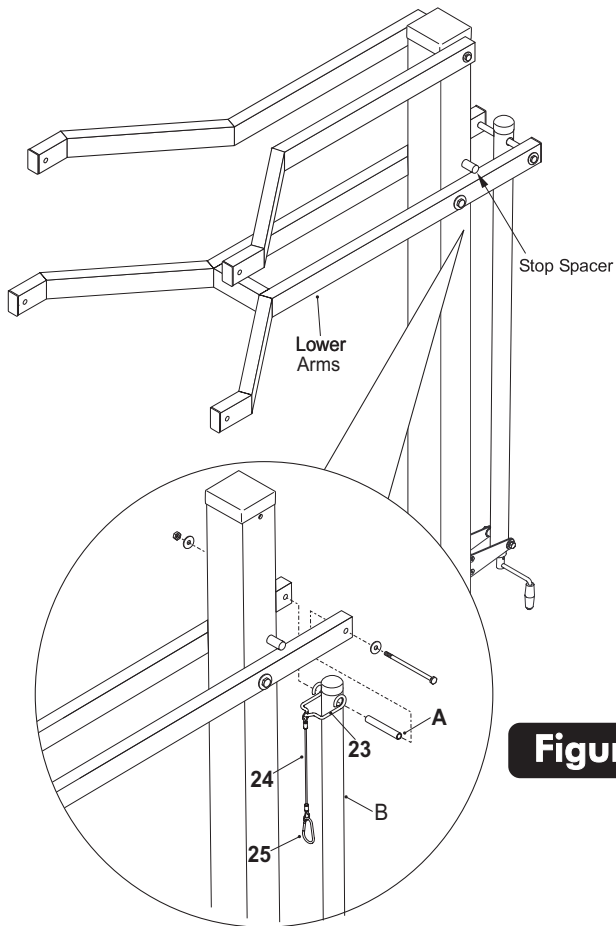


Figure 1

4. Identify Pole Sections "A" through "D" by their labels.
5. Attach Pole Section "D" (#11) to Mounting plate (#17) with bolt (#21) and nut (#16) as shown in Figure 3.

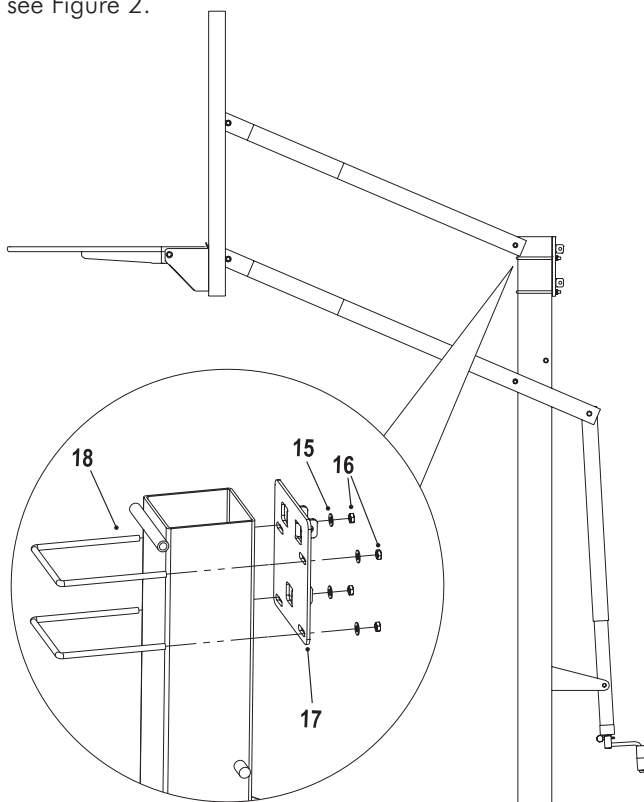


Figure 2

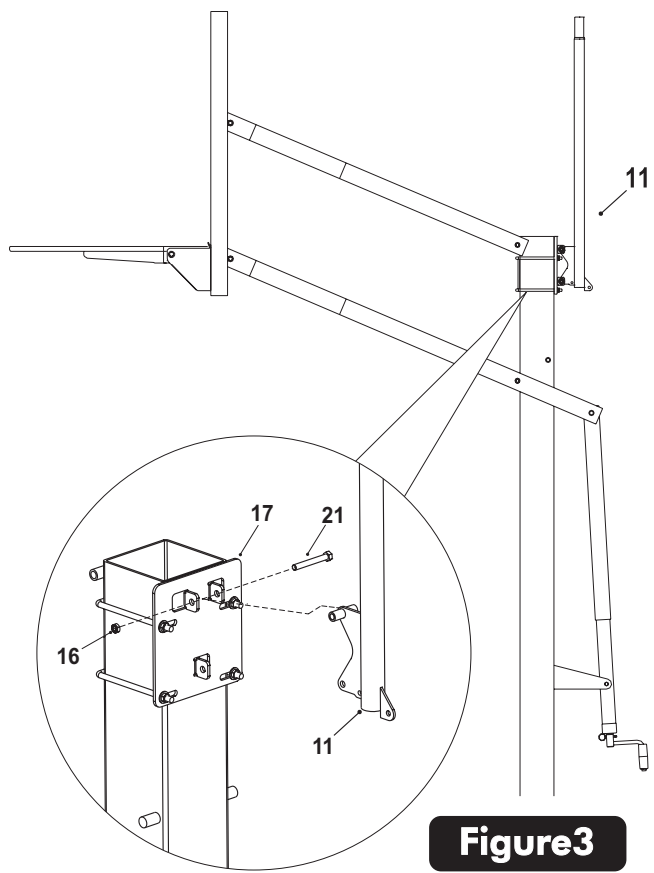
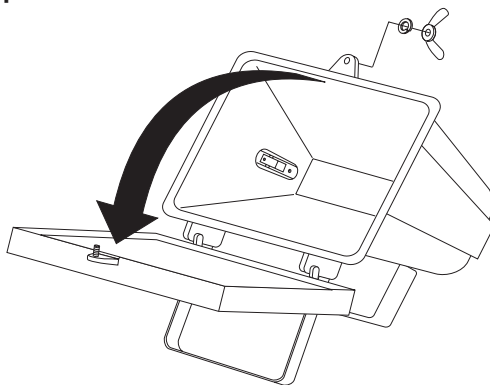


Figure 3

6. Remove the wing nut, lock washer and screw at top of light that holds frame together. The door frame assembly will swing down to open. Using gloves or soft cloth insert one end of bulb into socket specified on light. Gently apply pressure to the bulb and insert opposite end of bulb into other socket. Close door and secure with screw, lock washer and wing nut. Repeat for other light unit.

Note: Do not touch halogen bulb with your hand as oil in your skin will cause damage to the bulb. Reverse this procedure to remove the bulb.



- Attach Halogen Lamp Assembly (#1) to Lamp Mount Bar (#2) using four Washer Head Bolts (#4), four washers (#5) and four locknuts (#6) as shown in Figure 4.
- Mount the Wire Safety Cage (#7) to the frame on the front of the Halogen Lamp Assembly (#1). Squeeze the cage slightly so the wire ends fit into the inside four corners of the frame.

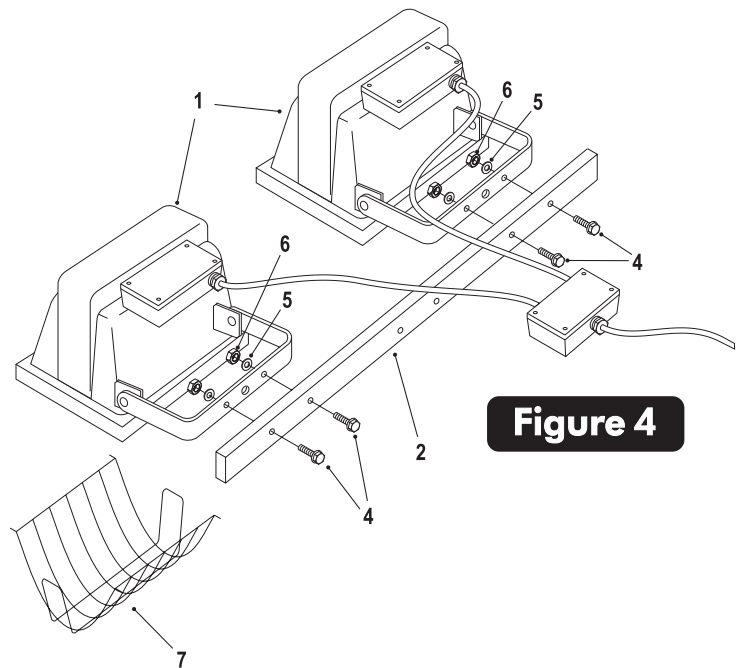


Figure 4

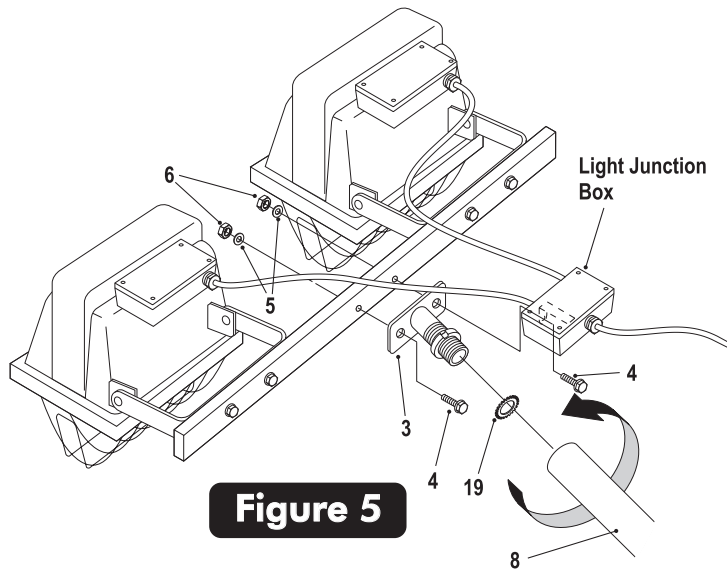


Figure 5

- Install a Serrethead Washer (#19) onto Lamp Base (#3) and screw the threaded portion of the Lamp Base (#3) into the threaded end of Pole Section "A" (#8). Secure Lamp Base by tightening jam nut on Lamp Base (#3) against end of Pole Section "A" (#8). See Figure 5.
- Attach Lamp Base (#3) and Light Junction Box to Lamp Mount Bar (#2) using two Washer Head Bolts (#4), two washers (#5) and two locknuts (#6). See Figure 5.

- Slide the swaged (crimped) end of Pole Section "B" (#9) into the unthreaded end of Pole Section "A" (#8). Align the holes and insert a self tapping screw (#12) to secure. (You will need to use a wrench or a pair of pliers to firmly start the self tapping screw.)
- Slide Pole Section "C" (#10) into the end of Pole Section "B" (#9) and secure with a self tapping screw (#12).

Note: It is very important to evenly space out the six plastic ties to keep the electrical cord secure.

- Secure the electrical cord to the pole with six plastic ties (#13) in the locations shown in Figure 6. Cut off excess plastic tie.

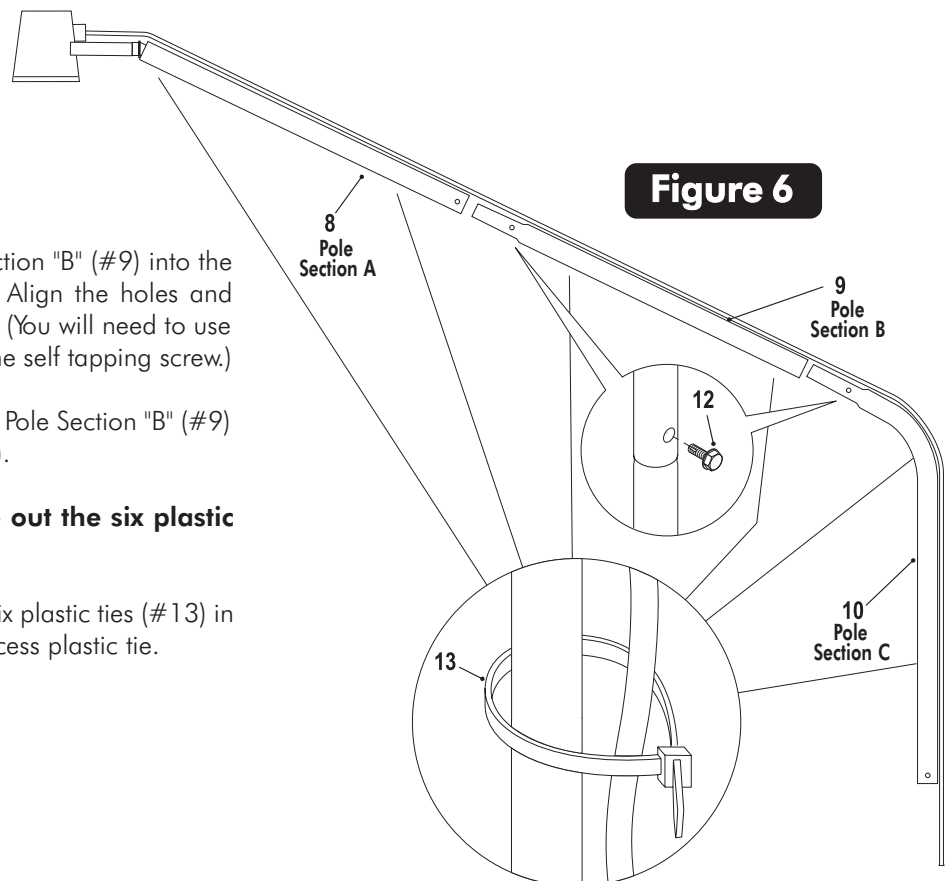


Figure 6



CAUTION!

ATTACHING HOOP LIGHT TO POLE REQUIRES AT LEAST TWO CAPABLE ADULTS.



WARNING

When attaching the Hoop Light to the pole, stay clear of all overhead power, electrical, telephone wires, and obstacles. Any contact between the Hoop Light and any of these lines will result in immediate danger.



WARNING

WARNING: When mounting the Hoop Light to the basketball pole, be sure that no U-clamp either traps or squeezes the electrical cord. Make sure the electrical cord is free and placed outside of the U-clamps. Do not plug the Hoop Light into any electrical outlet or extension cord until the entire assembly procedure is complete.

- With the help of at least one other adult, lift hooplight assembly up and insert Pole Section "C" (#10) on top of Pole Section "D" (#11). Secure with a self tapping screw (#12). See Figure 7.
- Attach Cable Hook (#25) to tab on pole "D".
- With hook attached to hoop light, crank actuator to raise goal to where bottom bolt can be inserted and then insert bolt (#22) into hoop light through two washers (#15), splitwasher (#20) and nut (#14) and tighten. **STOP RAISING GOAL WHEN BOLT CAN BE INSERTED! IF YOU CRANK ACTUATOR TO RAISE GOAL AFTER CABLE IS TAUT, YOU COULD DAMAGE YOUR SYSTEM.**
- If goal is not at 10, leave bolt in hoop light and crank actuator to lower goal until hook can be removed and remove snap hook from hoop light bracket.
- With cable not attached to hoop light, adjust goal height to 10 feet.
- Secure the remaining electrical cord to the pole with two plastic ties (#13) in the locations shown in Figure 7. Cut off excess Plastic tie.

HOW TO LOWER UNIT TO CHANGE BULB

- If cable is not attached to hoop light pole D, Crank actuator to lower goal until you can attach cable hook (#25) to tab on pole D.
- Crank Actuator to raise goal up as high as it will go. Cable (#24) on hoop light will be taut.
- Remove bottom bolt (#22) that holds hoop light to post. See Figure 7.
- Lower goal as low as it will go by turning actuator handle. Lowering goal will also lower hoop light lamp.
- Change bulb. **Note: Do not touch halogen bulb with your Hand as oil in your skin will cause damage to the bulb.**
- Raise goal by turning actuator handle. Raise height until hole in hoop light bracket aligns with hole in tab on goal post. See Figure 7. Reinstall bolt (#63), washers (#62), lockwashers (#75), and nut (#76) you removed in step 3.



CAUTION

DO NOT PLAY ON YOUR GOAL WITH BOLT REMOVED. BOTTOM BOLT MUST BE INSTALLED.

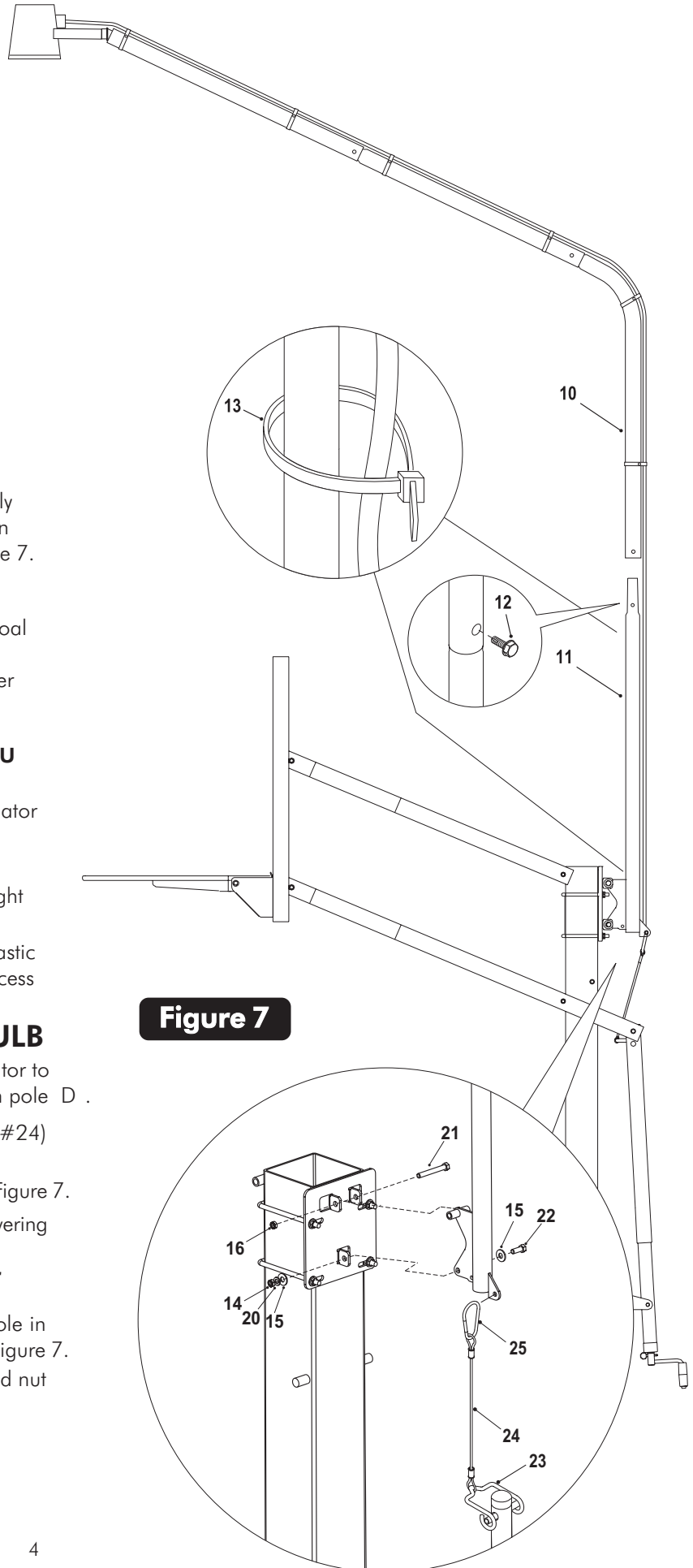


Figure 7

CAUTION:

- ! **Lamp surface gets very hot. Unplug lamp and allow to cool before touching surface of lamp. Do not assemble without the guard.**
- ! **Lamp should remain at least 20 inches from any sort of flammable material.**
- ! **This is not an indoor lamp.**
- ! **Do not look directly into lamp**
- ! **Keep children away from this lamp.**
- ! **Lamp should be unplugged and completely cool before you attempt to replace the bulb. Avoid direct contact of fingers with the bulb. Oil from skin can damage the bulb.**
- ! **Do not operate lamp with broken pieces or missing safety guard.**
- ! **Never operate lamp around highly flammable liquids such as gasoline or paint thinner.**
- ! **This lamp should never be in or near a wet surface. Never use near a swimming pool, hot tub or sauna, or near a standing body of water.**
- ! **Do not operate this lamp in the rain.**
- ! **Always insert the plug into the outlet carefully.**

HOOPLIGHT CARE INFORMATION

Reverse the mounting procedure carefully in order to reach the lamp for cleaning the safety glass, changing the bulb, or in the rare occasion that you might need to redirect the beam of the light fixture.

Use 500 watt or smaller, type T-3 bulb. (Available at most hardware and home stores)

90 DAY LIMITED WARRANTY

This consumer warranty extends to the original consumer purchase of any ESCALADE® SPORTS Product (hereinafter referred as the "Product").

WARRANTY DURATION: This Product is warranted to the original consumer purchase of a period of ninety (90) days from the original purchase.

WARRANTY COVERAGE: ESCALADE SPORTS warrants to the original Consumer Purchaser that any Product of its manufacture is free from defects in material and workmanship when used for the intended purpose under normal use and conditions. THIS WARRANTY IS VOID IF THE PRODUCT HAS BEEN DAMAGED BY ACCIDENT, UNREASONABLE USE, NEGLIGENCE, IMPROPER SERVICE, FAILURE TO FOLLOW INSTRUCTIONS PROVIDED WITH THE PRODUCT OR OTHER CAUSES NOT ARISING OUT OF DEFECTS IN MATERIAL AND WORKMANSHIP.

WARRANTY PERFORMANCE: During the above ninety (90) day warranty period, ESCALADE SPORTS shall repair or replace with a comparable model, and Product, or component thereof, which may prove defective under normal use and proper care, and which our examination shall disclose to our satisfaction to be thus defective, please contact our Warranty Dept.

1-888-USA-GOAL / Warranty Dept.

Or Write us at:

Escalade® Sports, Inc. - P.O. Box 889, Evansville, IN 47706 - Attn: Warranty Dept.

Or E-mail us at:

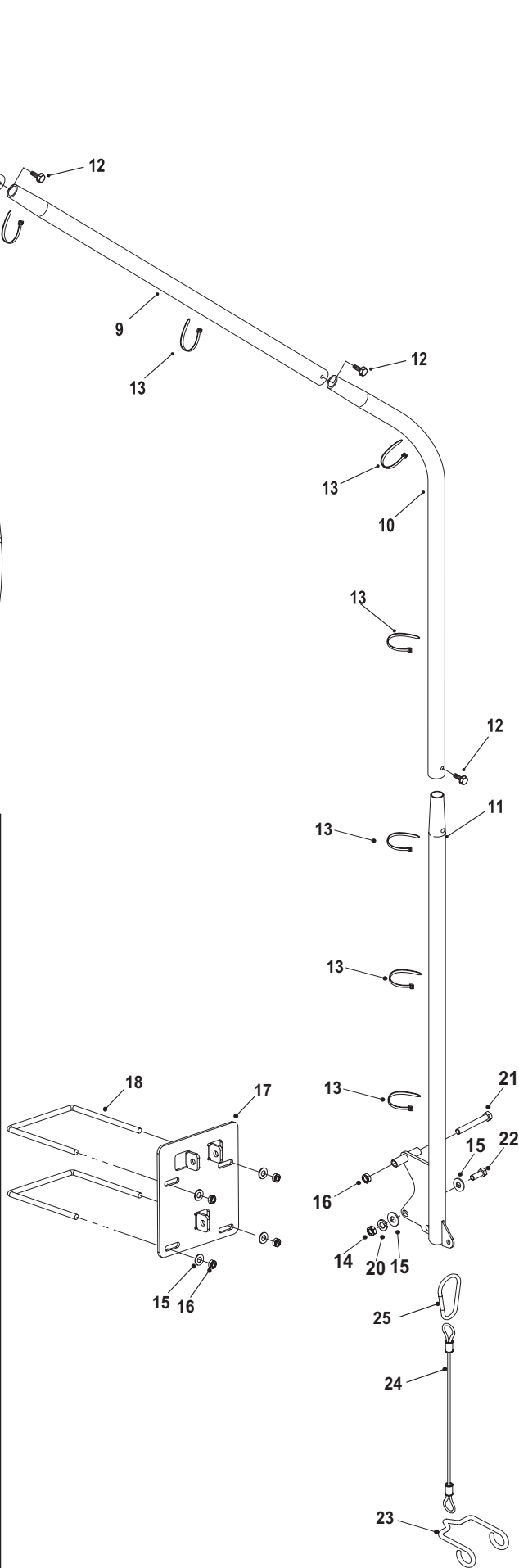
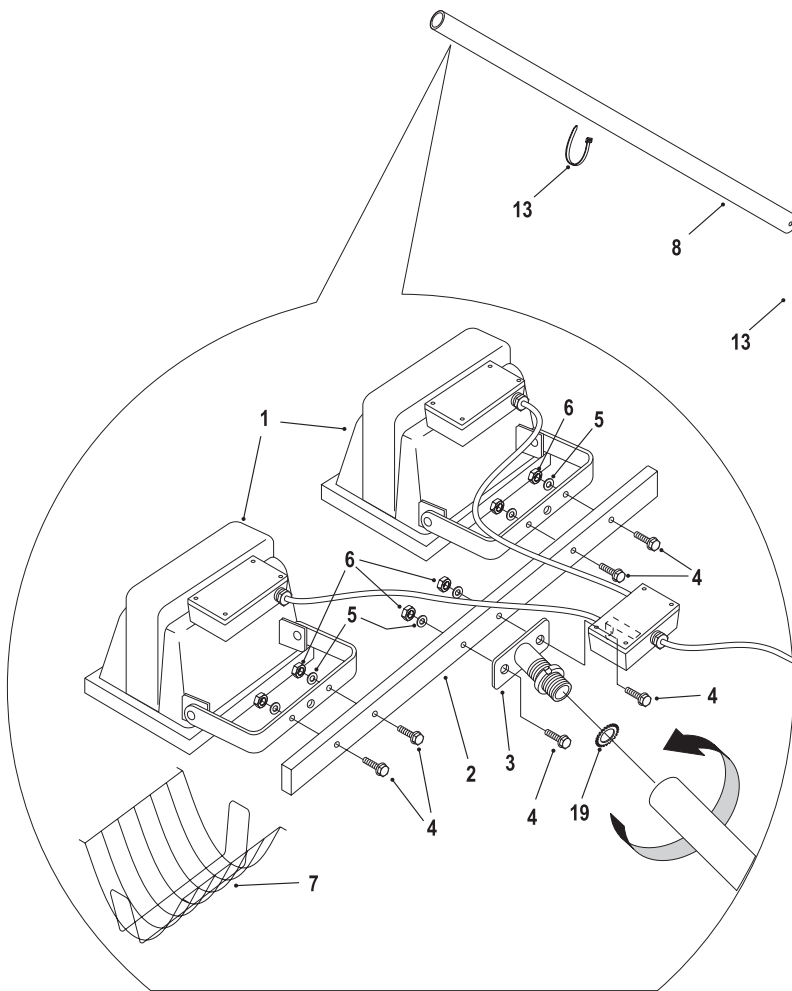
basketball@escaladesports.com

Other than shipping requirements no charge will be made for such repair or replacement of in-warranty Products. ESCALADE® SPORTS strongly recommends that the Product is insured for value prior to mailing.

WARRANTY DISCLAIMERS: ANY IMPLIED WARRANTIES ARISING OUT OF THIS SALE, INCLUDING BUT NOT LIMITED TO THE IMPLIED WARRANTIES OF MERCHANTABILITY AND FITNESS FOR A PARTICULAR PURPOSE, ARE LIMITED IN DURATION TO THE ABOVE NINETY (90) DAY WARRANTY PERIOD. ESCALADE® SPORTS SHALL NOT BE LIABLE FOR LOSS OF USE OF THE PRODUCT OR OTHER CONSEQUENTIAL OR INCIDENTAL COSTS, EXPENSES OR DAMAGES INCURRED BY THE CONSUMER OF ANY OTHER USE.

Some states do not allow the exclusion or limitation of implied warranties or consequential or incidental damages, so the above limitations or exclusions may not apply to you.

LEGAL REMEDIES: This warranty gives you specific legal rights and you may also have other rights which may vary from state to state.



Key#	Part #	Description	Qty.
1	6Q-6007-00	Dual 500 watt Hal Lamp Assy	1
2	4A-6870-00	Lamp Mount Bar	1
3	4A-6843-00	Lamp Base	1
4	1B-6602-00	M6 X 1.0 X 25 Hex Washer Head	6
5	2B-6014-00	M6 Flatwasher	6
6	2B-6142-00	M6 X 1.0 Nylon Locknut	6
7	6Q-6006-00	Wire Safety Cage	2
8	8S-6687-00	Pole Section "A"	1
9	8S-6688-00	Pole Section "B"	1
10	8S-6689-00	Pole Section "C"	1
11	1A-7020-00	Pole Section "D"	1
12	1B-6563-00	Self Tapping Screw	3
13	7B-6290-00	Plastic Tie	8
14	901-118	3/8"-16 Hex Nut	1
15	701-50	3/8" Flatwasher	6
16	901-28	3/8-16 Nylon Locknut	5
17	2S-9065-00	Mounting Plate	1
18	7B-6295-00	U-Bolt for 4 X 4 Pole	2
	7B-6296-00	U-Bolt for 5 X 5 Pole	2
	7B-6297-00	U-Bolt for 6 X 6 Pole	2
	7B-6298-00	U-Bolt for 6 X 8 Pole	2
19	2B-6147-00	M20 Serrated Lockwasher	1
20	901-69	3/8" Split Lockwasher	1
21	1B-6558-00	3/8" - 16 X 3 HH Bolt	1
22	1B-6914-00	3/8" - 16 X 1 HH Bolt	1
23	8S-6840-00	Cable Stirrup	1
24	4A-7601-00	Cable	1
25	7B-6429-00	Snap Hook	1

2L-7142-00