

## ANCHOR SYSTEM INSTALLATION INSTRUCTIONS (Day 1)

### ⚡ WARNING ⚡

**Before digging hole for anchor system, check for buried power, gas, water, and telecommunication lines! Failure to do so could result in serious or fatal injury! Contact your local utility company if unsure.**

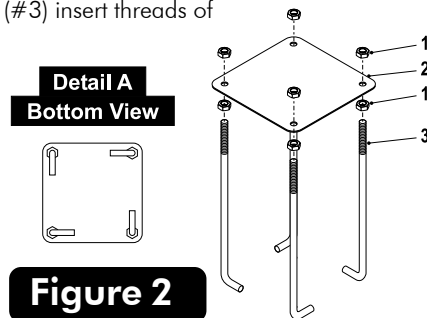
#### Items needed (not included)

- |   |                  |
|---|------------------|
| 9 - 80 lb. bags of concrete               | 1 - wheel barrow |
| 1 - post hole digger (optional)           | 1 - garden hose  |
| 1 - 15/16" wrench                         | 1 - level        |
| 1 - concrete form (see note after step 2) | 1 - tape measure |

**Note: For best results with less vibration, anchor system should be independent of court. If pouring concrete for both at same time, add an expansion joint in between.**

- Determine the location of the anchor system. The proper location is as close to the court without making contact, as shown in Figure 1. This, however, is a general rule. If you need to locate the anchor system in a location other than this, check system's owners manual for overhang of your system. Use this dimension as a guide.

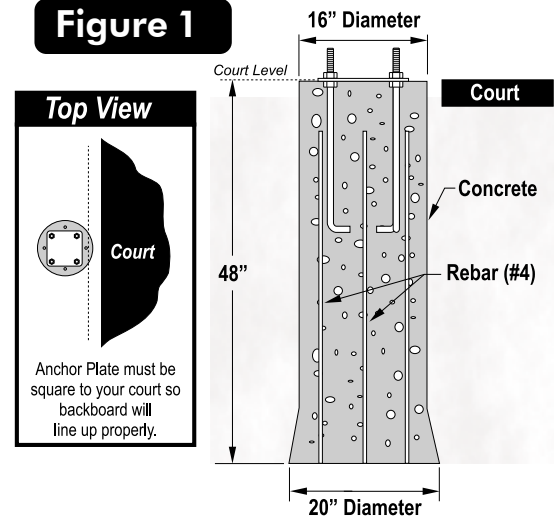
- Assemble anchor system as follows: Thread nut (#1) to bottom of threads on anchor bolt (#3) insert threads of anchor bolt (#3) through hole on anchor plate (#2) and secure with nut (#1). Repeat this step for the remaining anchor bolts. See Figure 2. Note: Each leg of anchor bolts should face the anchor bolt to the right. See Detail A.



**Note: It is recommended that you use some sort of concrete form for the top 4" of the concrete. Cardboard forms can be purchased at some hardware and home stores or a wooden form can be constructed out of 2 x 4's.**

- Mix and pour concrete into hole. Follow instructions on concrete bag. Stop about 18" below court level.
- Insert four reinforcement bars (#4) into concrete 8" apart creating a square in center on hole.
- Finish pouring concrete up to court level.
- Push anchor system into concrete and agitate to work out voids in concrete. Immediately use a level to level and square anchor plate to playing surface. Clean off any concrete that may be on exposed threads.

**Figure 1**



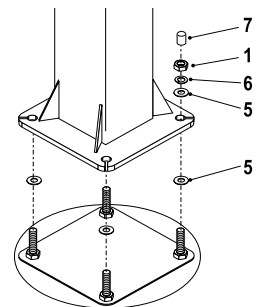
**Note: The bottom four nuts will be forever embedded in concrete.**

Let concrete stand for a MINIMUM of 72 hours (3 Days).

### ⚠ CAUTION ⚠

**PLACING THE POST ON THE ANCHOR SYSTEM REQUIRES AT LEAST FOUR CAPABLE ADULTS. POLE WILL WANT TO LEAN WHILE ATTEMPTING TO STAND IT UP ON ANCHOR BOLTS.**

- Locate hardware needed to mount pole to anchor bolts. You will need, eight flatwashers (#5), four lock washers (#6), four hex nuts (#1) and four thread protectors (#7).
- Put a flat washer (#5) on each anchor bolt. Lift post onto anchor system and secure with one flatwasher (#5), one lock washer (#6) and one hex nut (#1) for each anchor bolt. See Figure 3. Tighten all four hex nuts tight.



**Figure 3**

Key#	Part #	Description	Qty.
1	2B-6097-00	5/8-11 HEX NUT	12
2	2S-6494-00	ANCHOR PLATE POWDERED	1
3	2B-6096-00	ANCHOR BOLT 5/8-11 X 18"	4
4	1S-6152-00	REBAR #3 X 40"	4
5	2B-6098-01	5/8 SAE FLAT WASHER	8
6	2B-6099-00	5/8 SPLIT LOCKWASHER	4
7	3M-6469-00	5/8 THREAD PROTECTOR	4